



# Advanced Sealing

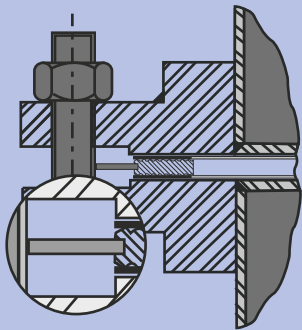
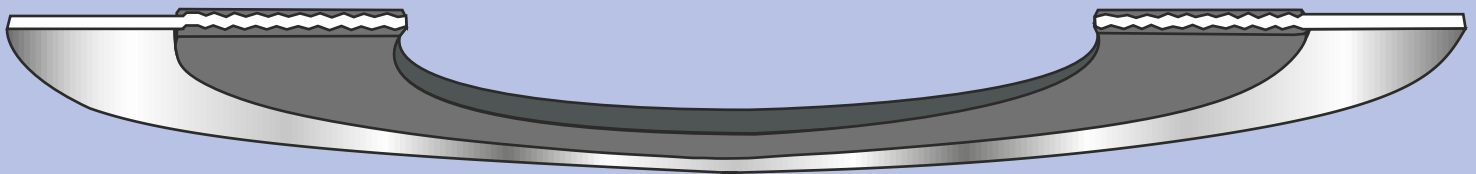
13452 Alondra Blvd.  
Cerritos, CA 90703  
Ph: 562-802-7782  
Fax: 562-802-7742

3803 Old Mobile Hwy  
Pascagoula, MS 39581  
Ph: 228-938-8000  
Fax: 228-938-0011

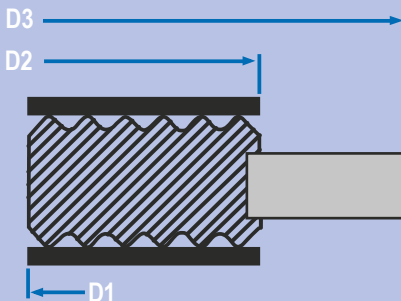
## CPFG™ Gasket

Advanced Sealing is proud to present our CPFG™ (camprofile-style pipe flange gasket). We have incorporated our precision serrated core with an outer guide ring for alignment ease. The CPFG™ gasket is designed for use in refineries, power generation, chemical and general industrial plants for standard and specialty flanges. Our CPFG™ gasket offers unequalled reliability and ease of installation, while eliminating the inherent problems of unwinding and inward buckling that are all too common with spiral-wound gaskets. The CPFG™ gasket eliminates the need for stocking multiple styles of compressed non-asbestos gaskets for your various processes.

The CPFG™ gasket assures seal integrity under various pressures and temperature fluctuations, flange face imperfections, bolt stress, creep relaxation, and provides outstanding flexibility and recovery. Advanced Sealing and Supply Company's CPFG™ is the reliable, trouble-free sealing solution for all of your plant's flanges.



Designed for ASME B16.5 or ASME B16.47 with spin fit outer guide ring for thermal expansion.



MATERIAL	TEMPERATURE °F (°C)		OPERATING PRESSURE PSI (BAR)
	MIN	MAX	
APX2 GRAPHITE	-400 (-240)	850 (455)	3700 (345)
TEFLON	-400 (-240)	500 (260)	1500 (100)

NPS SIZE	CAMPROFILE RING (INCH)	(D3) CENTERING RING OUTSIDE DIAMETER (INCH)							
		(D1) INSIDE DIAMETER	(D2) OUTSIDE DIAMETER	PRESSURE CLASS					
				150#	300#	400#	600#	900#	1500#
1/2"	0.91	1.31	1.88	2.13	2.13	2.13	2.50	2.50	2.75
3/4"	1.13	1.56	2.25	2.63	2.63	2.63	2.75	2.75	3.00
1"	1.44	1.87	2.63	2.88	2.88	2.88	3.13	3.13	3.38
1 1/4"	1.75	2.37	3.00	3.25	3.25	3.25	3.50	3.50	4.13
1 1/2"	2.06	2.75	3.38	3.75	3.75	3.75	3.88	3.88	4.63
2"	2.75	3.38	4.13	4.38	4.38	4.38	5.63	5.63	5.75
2 1/2"	3.25	4.00	4.88	5.13	5.13	5.13	6.50	6.50	6.63
3"	3.87	4.88	5.38	5.88	5.88	5.88	6.63	6.88	7.75
3 1/2"	4.37	5.38	6.38	6.50	6.38	6.38	7.50	7.38	
4"	4.87	6.06	6.88	7.13	7.00	7.63	8.13	8.25	9.25
5"	5.94	7.19	7.75	8.50	8.38	9.50	9.75	10.00	11.00
6"	7.00	8.37	8.75	9.88	9.75	10.50	11.38	11.13	12.50
8"	9.00	10.50	11.00	12.13	12.00	12.63	14.13	13.88	15.25
10"	11.13	12.63	13.38	14.25	14.13	15.75	17.13	17.13	18.75
12"	13.37	14.87	16.13	16.63	16.50	18.00	19.63	20.50	21.63
14"	14.63	16.13	17.75	19.13	19.00	19.38	20.50	22.75	
16"	16.63	18.38	20.25	21.25	21.13	22.25	22.63	25.25	
18"	18.87	20.87	21.63	23.50	23.38	24.13	25.13	27.75	
20"	20.87	22.87	23.88	25.75	25.50	26.88	27.50	29.75	
24"	24.88	26.87	28.25	30.50	30.25	31.13	33.00	35.50	

DVBE Certified

www.advseal.com

ISO 9001:2008 Certified

The properties and application parameters shown throughout this data sheet are typical. Your specific application should not be undertaken without independent study and evaluation for suitability. For specific application recommendations consult Advanced Sealing. Failure to select proper sealing products could result in property damage and/or serious personal injury.